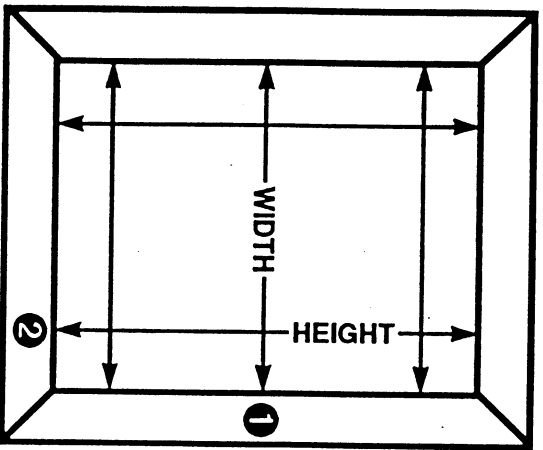


HOW TO MEASURE

Use a steel tape measure for accuracy. Measure to the 1/8 inch.

INSIDE MOUNT

Window covering will hang inside the window frame and cover the window glass exactly.



① Width - Measure EXACT width of the window in three (3) places. Use the narrowest dimension.

② Height - Measure the EXACT height of the window in two (2) places. Use the shortest dimension.

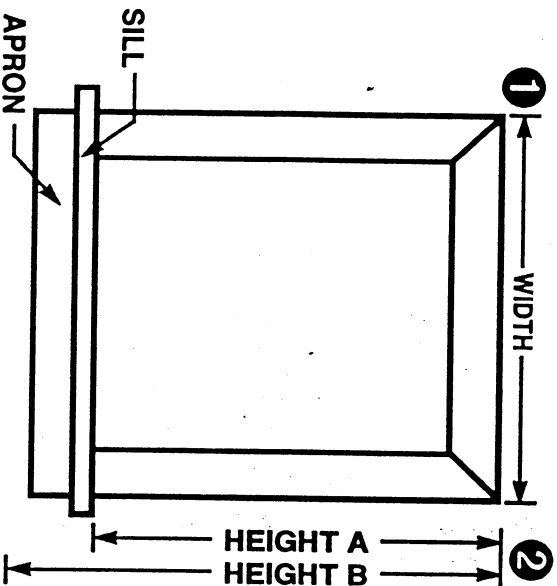
★ Make NO DEDUCTIONS

★ The factory will make the necessary deductions for operating clearance. The deductions will vary by product.

③ Window Depth - The amount of space from the back of the window or obstruction to the windows outer edge, see RECOMMENDED MINIMUM DEPTH REQUIREMENTS in the INFORMATION column.

OUTSIDE MOUNT

Window covering will hang outside the actual window glass, generally covering the window frame.

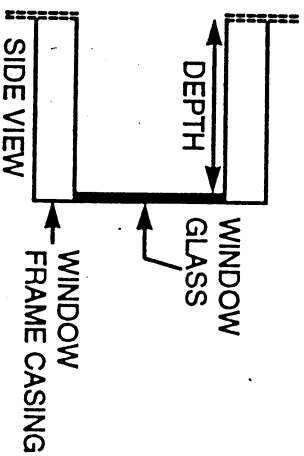


① Width - Measure EXACT width of the window frame. Add recommended overlaps to the height, see RECOMMENDED OVERLAPS in the INFORMATION column.

② Height - Measure EXACT height from the top of the window frame to the sill (Height A) or the bottom of the window frame (Height B). Add recommended overlaps to the height, see RECOMMENDED OVERLAPS in the INFORMATION column.

INFORMATION

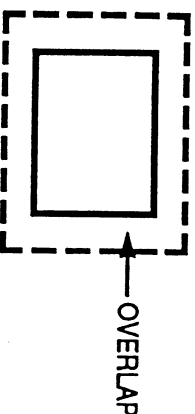
INSIDE MOUNT



WINDOW DEPTH REQUIREMENTS FOR COMPLETE FLUSH INSIDE MOUNT

- 1 1/2" - 1/2" Micro & 1" Basic,
- 3/4" Cellular & Pleated Shades
- 2" - Roller Shades
- 2 1/4" - 1" Deluxe, 1" Custom & 1" Wood,
- 3/4" Cellular Shades
- 3" - 2" Maxi & 2" Wood Blinds
- 4 3/4" - 3" Wood & Vertical Blinds

OUTSIDE MOUNT



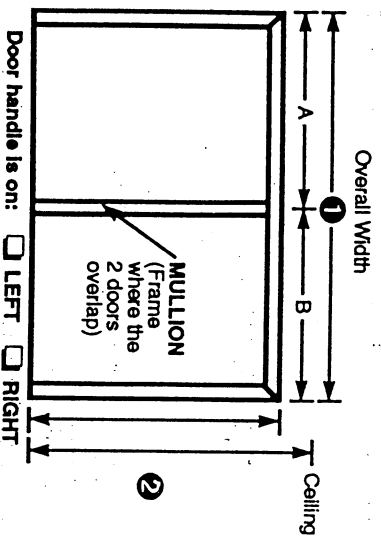
RECOMMENDED OVERLAPS

- ★ All Aluminum & Wood Blinds, Cellular Shades, Pleated & Roller Shades - 1 1/2" to all sides (3" to the overall width & height)
- ★ Vertical Blinds add 4" to each side and 2" to the top and bottom. (Exception: Add only 2" to top when the blind reaches floor or sill)
- ★ Toppers add 2" to each side, 4" to the overall width. No height measurement required.



TWO OR ONE HEADRAIL, OR PATIO DOOR

The window covering will hang outside the window frame. Each window/door is treated individually except with vertical blinds where one blind is used.



ALUMINUM & WOOD BLINDS CELLULAR & PLEATED SHADES

1. Width - Measure EACH window/door width (A&B) from the window frame to the center of the mullion. Measure the windows from left to right. Add the RECOMMENDED OVERLAPS to outside edges of both. Measure overall width of area to be covered.
2. Height - Measure the EXACT height from the top of the window frame to the floor. Add ONLY THE RECOMMENDED OVERLAPS for the top of the frame.

VERTICAL BLINDS

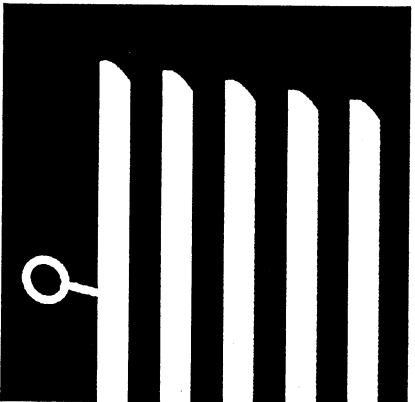
Measure the width and height of the area you wish to cover. TO THE HEIGHT, add 2" to the overall measurement.

HOW TO STACK VERTICAL BLINDS BEYOND WINDOW

Measure the distance on each side of the window to the nearest corner or built-in object.

Distance on left: _____

Distance on right: _____



SPEEDY INTERIOR

3562 EASTHAM DRIVE, CULVER CITY CA 90230

TEL. # (800) 677-5588, FAX # (310) 815-8816

HOW TO MEASURE

Blinds

- Aluminum
- Wood
- Vertical

Shades

- Pleated
- Roller
- Cellular