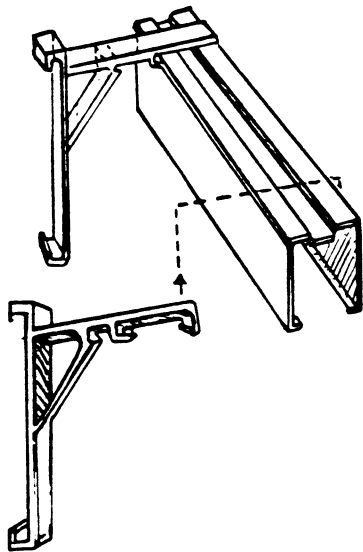
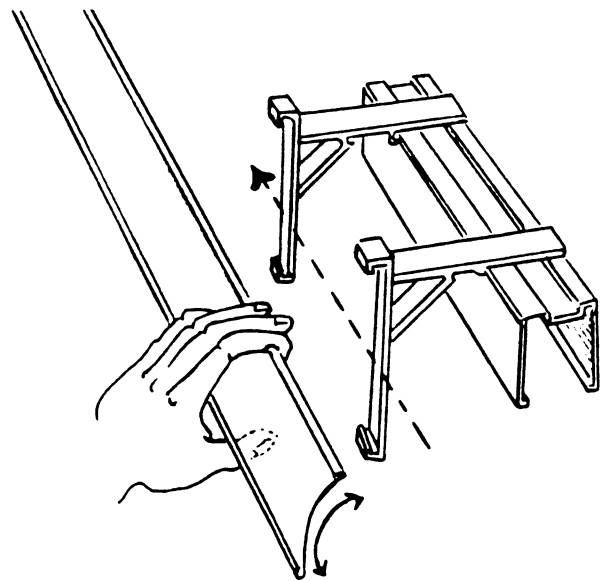


ECONO VALANCE INSTALLATION INSTRUCTIONS



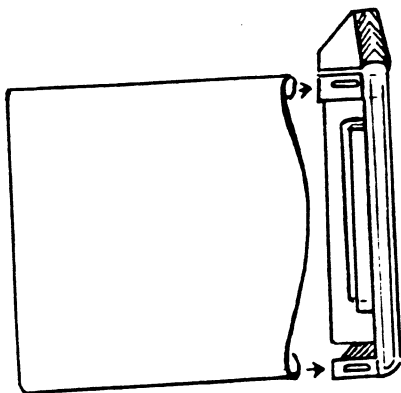
-Fig1-

Snap valance clips onto the top of head rail.



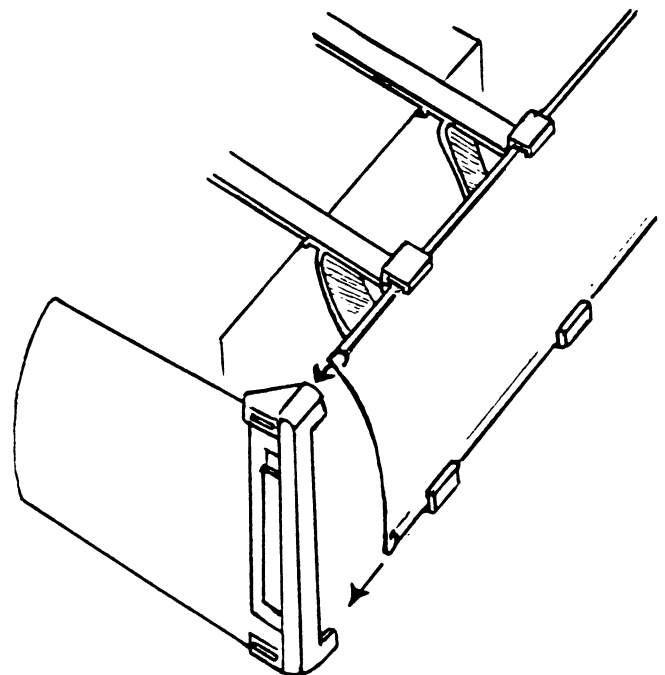
-Fig2-

Slightly bend the econo valance before inserting it in the valance clips.



-Fig3-

Insert the valance return in the valance corner, using a HOT GLUE GUN.



-Fig4-

Insert the econo valance into Fig3, by using HOT GLUE GUN.